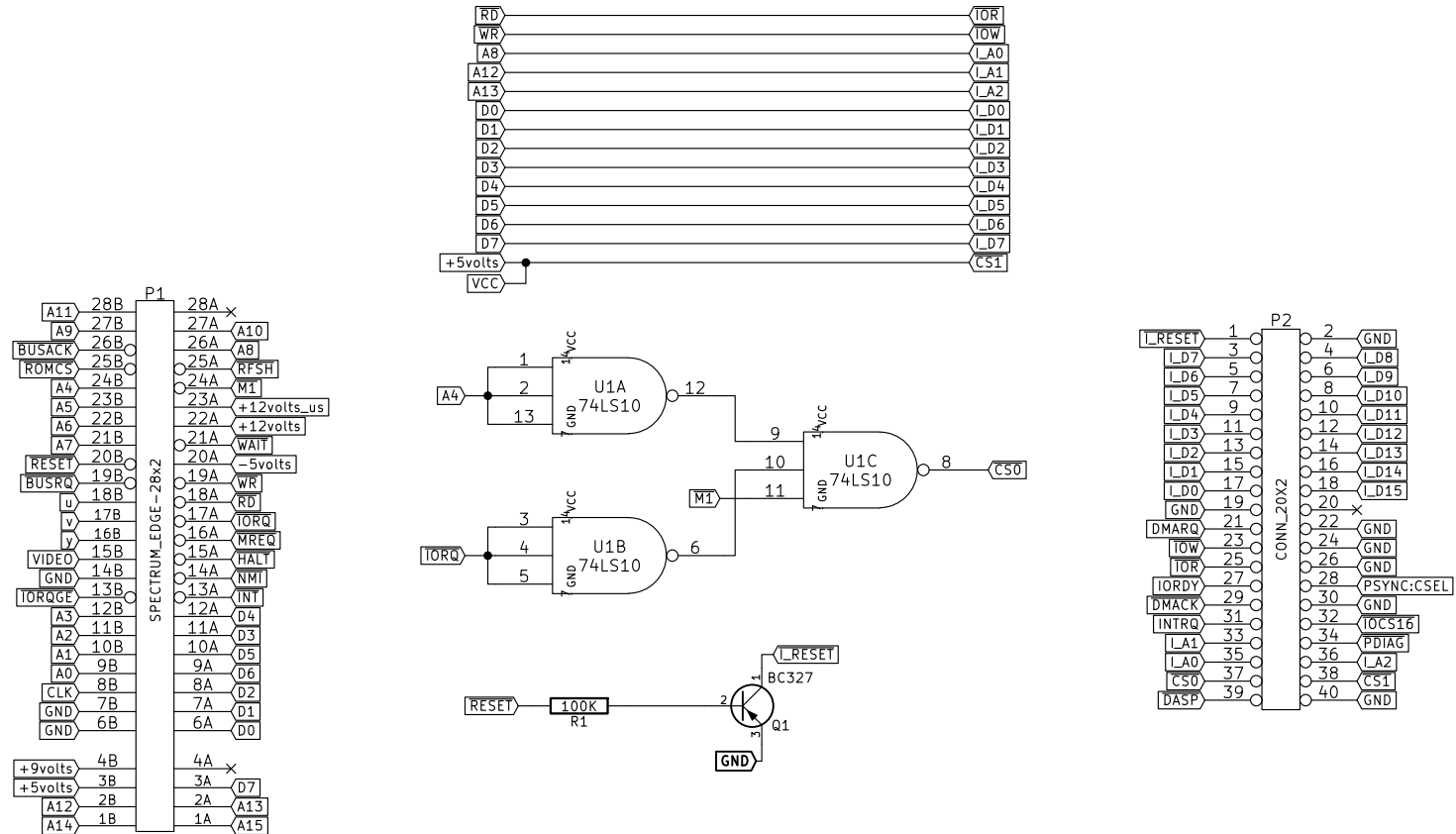


# www.ProjectAVR.com

## Simple 8-Bit IDE Hard Drive Interface by Pera Putnik & Garry Lancaster



Designed by Pera Putnik and Garry Lancaster

Sheet: /

File: Simple 8-bit HD IF for Spectrum +3 v1.0.sch

**Title: Simple 8-bit HD Interface for Spectrum +3**

Size: A4 Date: 2017-06-10

KiCad E.D.A. kicad 4.0.5

Rev: 1.0

Id: 1/1